

B2, B3, B4, B5, B6 MEASURING SHUNTS

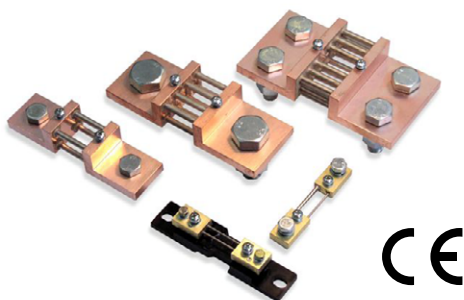
FEATURES:

Class
0.2

Class
0.5

1 A
...
18 kA

DIN
35 mm

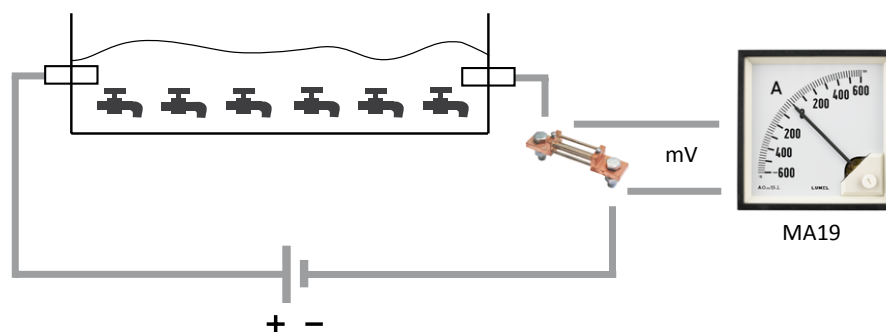


- Extension of d.c. current measuring ranges of moving-coil ammeters.
- **Accuracy class 0.2 for ranges ≤ 2500 A, class 0.5 for ranges > 2500 A.**
- Shunts of 1...25 A ranges (and on request, B2 40...150 A) are fixed on an isolating base.
- The isolating base is adapted to be assembled on a 35 mm DIN rail.
- On request, additional chemical coating are available: lackering or silver.

INPUT:



EXAMPLE OF APPLICATION



Process of fittings electroplating.

OUTPUTS:

50
mV

60
mV

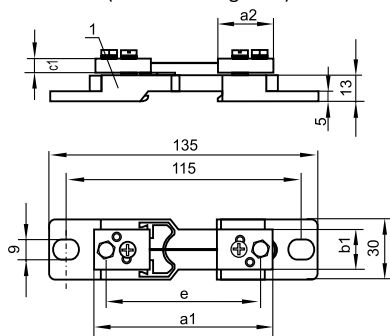
75
mV

100
mV

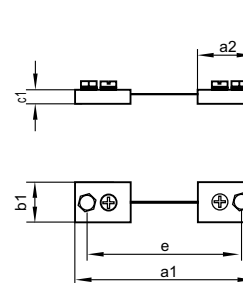
150
mV

KIND OF VERSION

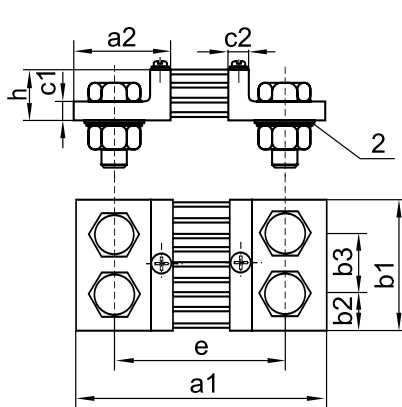
Version A (on an isolating base)



Version D



Version B



Version C

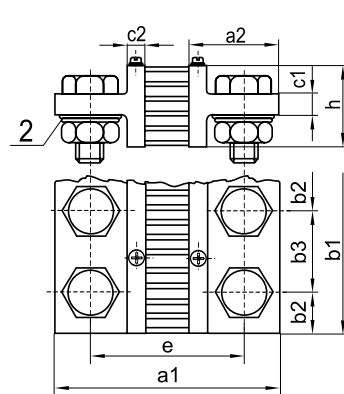


Fig.1. Fixing dimensions of shunts
1 - isolating base, 2 - round spring washer.

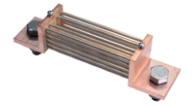
Export department:
tel.: (+48 68) 45 75 130,
45 75 131, 45 75 132
e-mail: export@lumel.com.pl
Technical support:
tel.: (+48 68) 45 75 143, 45 75 141,
45 75 144, 45 75 140
e-mail: export@lumel.com.pl
Calibration & Attestation:
e-mail: laboratorium@lumel.com.pl
LUMEL S.A.
ul. Słubicka 4,
65-127 Zielona Góra, Poland
tel.: +48 68 45 75 100
www.lumel.com.pl

B2, B3, B4, B5, B6 MEASURING SHUNTS

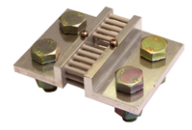
| B2 60 mV | | | | | | | | | | | | Current terminals | | | |
|--|---------|-----|----|-----|----|----|----|----|-----|-----|-------------|-------------------|----------|-----|-----|
| IN [A] | Version | a1 | a2 | b1 | b2 | b3 | c1 | c2 | e | h | Weight [kg] | LZ | Bolt | P | N |
| 1; 1,5; 2; 2,5; 4;6; 5; 10; 12; 15; 20; 25; 30 | A | 90 | 28 | 20 | - | - | 8 | - | 78 | - | 0.13 | 2 x 1 | M5 x 12 | 5.5 | - |
| 30; 40; 45;50; 60; 75; 80; 100; 120 125; 150; 160; 200 | A, D | 100 | 33 | 20 | - | - | 8 | - | 80 | - | 0.13 | 2 x 1 | M8 x 16 | 8.5 | - |
| 200; 240;250; 300 | B | 145 | 55 | 30 | 15 | - | 10 | 10 | 105 | 30 | 0.60 | 2 x 1 | M12 x 40 | 13 | M12 |
| 300; 350; 400; 500 | B | 145 | 55 | 40 | 20 | - | 10 | 10 | 105 | 30 | 0.85 | 2 x 1 | M16 x 45 | 17 | M16 |
| 500; 600; 650; 750; 800 | B | 145 | 55 | 40 | 20 | - | 10 | 10 | 105 | 30 | 0.85 | 2 x 1 | M16 x 45 | 17 | M16 |
| 750; 800; 1000; 1200 | B | 165 | 65 | 60 | 30 | - | 10 | 10 | 115 | 30 | 1.45 | 2 x 1 | M20 x 50 | 21 | M20 |
| 1200; 1500; 2000 | B | 165 | 65 | 90 | 21 | 48 | 10 | 10 | 115 | 30 | 2.00 | 2 x 2 | M16 x 45 | 17 | M16 |
| 2000; 2500; 3000 | B | 165 | 65 | 120 | 30 | 60 | 10 | 10 | 115 | 30 | 2.90 | 2 x 2 | M20 x 50 | 21 | M20 |
| 3000; 4000; 5000 | C | 165 | 65 | 120 | 30 | 60 | 15 | 10 | 115 | 60 | 4.30 | 2 x 2 | M20 x 60 | 21 | M20 |
| 5000; 6000; 8000 | C | 175 | 70 | 154 | 25 | 52 | 25 | 15 | 125 | 130 | 10.50 | 2 x 3 | M20 x 75 | 21 | M20 |
| 8000; 10000; 12000 | C | 185 | 75 | 206 | 25 | 52 | 30 | 20 | 135 | 170 | 21.00 | 2 x 4 | M20 x 80 | 21 | M20 |
| 12000; 15000; 18000 | C | 185 | 75 | 310 | 25 | 52 | 30 | 20 | 135 | 170 | 32.00 | 2 x 6 | M20 x 80 | 21 | M20 |



| B3 150 mV | | | | | | | | | | | | Current terminals | | | |
|--|---------|-----|----|-----|----|----|----|----|-----|-----|-------------|-------------------|----------|-----|-----|
| IN [A] | Version | a1 | a2 | b1 | b2 | b3 | c1 | c2 | e | h | Weight [kg] | LZ | Bolt | P | N |
| 1; 1,5; 2,5; 4; 5; 6; 10; 15; 20; 25 | A | 90 | 28 | 20 | - | - | 8 | - | 78 | - | 0.14 | 2 x 1 | M5 x 12 | 5.5 | - |
| 30; 40; 50; 60; 75; 80;100; 125; 150; 160; 200 | D | 225 | 33 | 25 | - | - | 8 | - | 205 | - | 0.23 | 2 x 1 | M8 x 16 | 8.5 | - |
| 200; 250; 300 | B | 270 | 55 | 30 | 15 | - | 10 | 10 | 230 | 50 | 0.68 | 2 x 1 | M12 x 40 | 13 | M12 |
| 300; 400; 500 | B | 270 | 55 | 40 | 20 | - | 10 | 10 | 230 | 50 | 1.05 | 2 x 1 | M16 x 45 | 17 | M16 |
| 500; 600; 750; 800 | B | 270 | 55 | 40 | 20 | - | 10 | 10 | 230 | 50 | 1.16 | 2 x 1 | M16 x 45 | 17 | M16 |
| 750; 800; 1000; 1200 | B | 290 | 65 | 70 | 35 | - | 10 | 10 | 240 | 50 | 2.15 | 2 x 1 | M20 x 50 | 21 | M20 |
| 1200; 1500; 2000 | C | 290 | 65 | 90 | 21 | 48 | 15 | 10 | 240 | 60 | 3.10 | 2 x 2 | M16 x 60 | 17 | M16 |
| 2000; 2500; 3000 | C | 290 | 65 | 120 | 30 | 60 | 15 | 10 | 240 | 60 | 5.20 | 2 x 2 | M20 x 60 | 21 | M20 |
| 3000; 4000; 5000 | C | 300 | 70 | 120 | 30 | 60 | 25 | 15 | 250 | 130 | 8.30 | 2 x 2 | M20 x 75 | 21 | M20 |
| 5000; 6000; 8000 | C | 300 | 70 | 154 | 25 | 52 | 25 | 15 | 250 | 130 | 15.00 | 2 x 3 | M20 x 75 | 21 | M20 |
| 8000; 10000 | C | 310 | 75 | 206 | 25 | 52 | 30 | 20 | 260 | 170 | 28.00 | 2 x 4 | M20 x 80 | 21 | M20 |
| 15000 | C | 310 | 75 | 310 | 25 | 52 | 30 | 20 | 260 | 170 | 35.00 | 2 x 6 | M20 x 80 | 21 | M20 |



| B4 50 mV | | | | | | | | | | | | Current terminals | | | |
|---|---------|-----|----|-----|----|----|----|----|-----|-----|-------------|-------------------|----------|-----|-----|
| IN [A] | Version | a1 | a2 | b1 | b2 | b3 | c1 | c2 | e | h | Weight [kg] | LZ | Bolt | P | N |
| 1; 1,5; 2,5; 4; 5; 6;10; 15; 20; 25 | A | 90 | 28 | 20 | - | - | 8 | - | 78 | - | 0.13 | 2 x 1 | M5 x 12 | 5.5 | - |
| 30; 40; 50; 60;75; 80; 100; 150; 160; 200 | D | 93 | 33 | 20 | - | - | 8 | - | 73 | - | 0.13 | 2 x 1 | M8 x 16 | 8.5 | - |
| 200; 250; 300 | B | 138 | 55 | 30 | 15 | - | 10 | 10 | 98 | 30 | 0.60 | 2 x 1 | M12 x 40 | 13 | M12 |
| 300; 400; 500 | B | 138 | 55 | 40 | 20 | - | 10 | 10 | 98 | 30 | 0.85 | 2 x 1 | M16 x 45 | 17 | M16 |
| 500; 600; 750; 800 | B | 138 | 55 | 40 | 20 | - | 10 | 10 | 98 | 30 | 0.85 | 2 x 1 | M16 x 45 | 17 | M16 |
| 750; 800; 1000 | B | 158 | 65 | 60 | 30 | - | 10 | 10 | 108 | 30 | 1.45 | 2 x 1 | M20 x 50 | 21 | M20 |
| 1500; 2000 | B | 158 | 65 | 90 | 21 | 48 | 10 | 10 | 108 | 30 | 2.00 | 2 x 2 | M16 x 45 | 17 | M16 |
| 2000; 2500; 3000 | B | 158 | 65 | 120 | 30 | 60 | 10 | 10 | 108 | 30 | 2.90 | 2 x 2 | M20 x 50 | 21 | M20 |
| 3000; 4000; 5000 | C | 158 | 65 | 120 | 30 | 60 | 15 | 10 | 108 | 60 | 4.30 | 2 x 2 | M20 x 60 | 21 | M20 |
| 5000; 6000; 8000 | C | 168 | 70 | 154 | 25 | 52 | 25 | 15 | 118 | 130 | 10.50 | 2 x 3 | M20 x 75 | 21 | M20 |
| 8000; 10000; 12000 | C | 178 | 75 | 206 | 25 | 52 | 30 | 20 | 128 | 170 | 21.00 | 2 x 4 | M20 x 80 | 21 | M20 |
| 12000; 15000 | C | 178 | 75 | 310 | 25 | 52 | 30 | 20 | 128 | 170 | 32.00 | 2 x 6 | M20 x 80 | 21 | M20 |



Export department:
tel.: (+48 68) 45 75 130,
45 75 131, 45 75 132
e-mail: export@lumel.com.pl

Technical support:
tel.: (+48 68) 45 75 143, 45 75 141,
45 75 144, 45 75 140
e-mail: export@lumel.com.pl

Calibration & Attestation:
e-mail: laboratorium@lumel.com.pl

LUMEL S.A.
ul. Słubicka 4,
65-127 Zielona Góra, Poland
tel.: +48 68 45 75 100
www.lumel.com.pl

B2, B3, B4, B5, B6 MEASURING SHUNTS



| B5 75 mV | | | | | | | | | | | | Current terminals | | | |
|--|---------|-----|----|-----|----|----|----|----|-----|-----|-------------|-------------------|----------|-----|-----|
| IN [A] | Version | a1 | a2 | b1 | b2 | b3 | c1 | c2 | e | h | Weight [kg] | LZ | Bolt | P | N |
| 1; 1,5; 2,5; 4; 5; 6; 10; 12; 15; 20; 25 | A | 90 | 28 | 20 | - | - | 8 | - | 78 | - | 0.14 | 2 x 1 | M5 x 12 | 5.5 | - |
| 30; 40; 50; 75; 80; 60; 100; 125; 150; 160 | D | 115 | 33 | 25 | - | - | 8 | - | 95 | - | 0.17 | 2 x 1 | M8 x 16 | 8.5 | - |
| 200; 250; 300 | B | 160 | 55 | 30 | 15 | - | 10 | 10 | 120 | 30 | 0.63 | 2 x 1 | M12 x 40 | 13 | M12 |
| 300; 400; 500 | B | 160 | 55 | 40 | 20 | - | 10 | 10 | 120 | 30 | 0.92 | 2 x 1 | M16 x 45 | 17 | M16 |
| 500; 600 | B | 160 | 55 | 40 | 20 | - | 10 | 10 | 120 | 30 | 1.00 | 2 x 1 | M16 x 45 | 17 | M16 |
| 750; 800; 1000; 1200 | B | 180 | 65 | 60 | 30 | - | 10 | 10 | 130 | 30 | 1.75 | 2 x 1 | M20 x 50 | 21 | M20 |
| 1200; 1500; 2000 | B | 180 | 65 | 120 | 30 | 60 | 10 | 10 | 130 | 30 | 2.30 | 2 x 2 | M16 x 45 | 17 | M16 |
| 2000; 2500; 3000 | C | 180 | 65 | 120 | 30 | 60 | 15 | 10 | 130 | 60 | 3.10 | 2 x 2 | M20 x 60 | 21 | M20 |
| 3000; 4000; 5000 | C | 190 | 70 | 120 | 30 | 60 | 25 | 15 | 140 | 130 | 5.20 | 2 x 2 | M20 x 75 | 21 | M20 |
| 5000; 6000; 8000 | C | 190 | 70 | 154 | 25 | 52 | 25 | 15 | 140 | 130 | 11.20 | 2 x 3 | M20 x 75 | 21 | M20 |
| 8000; 10000 | C | 200 | 75 | 206 | 25 | 52 | 30 | 20 | 150 | 170 | 22.00 | 2 x 4 | M20 x 80 | 21 | M20 |
| 15000 | C | 200 | 75 | 310 | 25 | 52 | 30 | 20 | 150 | 170 | 33.00 | 2 x 6 | M20 x 80 | 21 | M20 |

| B6 100 mV | | | | | | | | | | | | Current terminals | | | |
|---|---------|-----|----|-----|----|----|----|----|-----|-----|-------------|-------------------|----------|-----|-----|
| IN [A] | Version | a1 | a2 | b1 | b2 | b3 | c1 | c2 | e | h | Weight [kg] | LZ | Bolt | P | N |
| 1; 1,5; 2,5; 4; 5; 6; 10; 15; 20; 25 | A | 90 | 28 | 20 | - | - | 8 | - | 78 | - | 0.14 | 2 x 1 | M5 x 12 | 5.5 | - |
| 30; 40; 50; 60; 75; 80; 100; 125; 150; 160; 200 | D | 145 | 33 | 25 | - | - | 8 | - | 125 | - | 0.20 | 2 x 1 | M8 x 16 | 8.5 | - |
| 200; 250; 300 | B | 190 | 55 | 30 | 15 | - | 10 | 10 | 150 | 30 | 0.65 | 2 x 1 | M12 x 40 | 13 | M12 |
| 300; 400; 500 | B | 190 | 55 | 40 | 20 | - | 10 | 10 | 150 | 30 | 1.00 | 2 x 1 | M16 x 45 | 17 | M16 |
| 500; 600; 750; 800 | B | 190 | 55 | 40 | 20 | - | 10 | 10 | 150 | 30 | 1.11 | 2 x 1 | M16 x 45 | 17 | M16 |
| 750; 800; 1000; 1200 | B | 210 | 65 | 60 | 30 | - | 10 | 10 | 160 | 30 | 2.00 | 2 x 1 | M20 x 50 | 21 | M20 |
| 1200; 1500; 2000 | B | 210 | 65 | 120 | 30 | 60 | 10 | 10 | 160 | 30 | 2.50 | 2 x 2 | M16 x 45 | 17 | M16 |
| 2000; 2500; 3000 | C | 210 | 65 | 120 | 30 | 60 | 15 | 10 | 160 | 60 | 3.20 | 2 x 2 | M20 x 60 | 21 | M20 |
| 3000; 4000; 5000 | C | 220 | 70 | 120 | 30 | 60 | 25 | 15 | 170 | 130 | 5.80 | 2 x 2 | M20 x 75 | 21 | M20 |
| 5000; 6000; 8000 | C | 220 | 70 | 154 | 25 | 52 | 25 | 15 | 170 | 130 | 12.00 | 2 x 3 | M20 x 75 | 21 | M20 |
| 8000; 10000 | C | 230 | 75 | 206 | 25 | 52 | 30 | 20 | 180 | 170 | 23.00 | 2 x 4 | M20 x 80 | 21 | M20 |
| 15000 | C | 230 | 75 | 310 | 25 | 52 | 30 | 20 | 180 | 170 | 34.00 | 2 x 6 | M20 x 80 | 210 | M20 |

IN - rated current
N - nut

LZ - number of terminals
Voltage terminals - two M5 x 8 cylinder-head bolts with a cruciform cavity + 5.5 washers + 5.1 spring washers

Bolt - hexagon bolt

P - washer

| TECHNICAL DATA | | | |
|---|---|---|-------------------------|
| Overload range | continuously 5 s max. $\leq 2,000$ A $> 2,000 \dots 10,000$ A | 1.2 times rated current 5 times rated current 2 times rated current | acc. to EN 60051-8:2000 |
| Accuracy class | 0.2 or 0.5 (acc. to ordering code) | | |
| Additional error from ambient temperature | 0.5 % / 10°C | | |
| Climatic suitability | climatic class 3 | acc. to VDE/VDI 3540 | |
| Operating temperature | -10...+55°C | | |
| Storage temperature | -25...+65°C | | |
| Relative humidity | $\leq 75\%$ annual average, non-condensing | | |
| Shunt calibration | B2, B4, B5, B6 of 1 .. 10 A ranges B3 of 1 .. 4 A ranges | considering the 10 mA current of the meter measuring element considering the 5 mA current of the meter measuring element | |
| Shunts dimensions | acc. to DIN 43 703 standard | | |
| Testing voltage of shunts with an isolating base | 5 kV | | |
| Resistance of a pair of wires connecting the shunt to the meter | 35 mΩ or 75 Ω, wires are not delivered with the shunt | | |
| Long-term overload | 120%·In | | |
| Short duration overload up to 5 seconds | for range up to 2kA - 5·In for range 2kA <In<10kA - 2·In | | |

Export department:
tel.: (+48 68) 45 75 130,
45 75 131, 45 75 132
e-mail: export@lumel.com.pl

Technical support:
tel.: (+48 68) 45 75 143, 45 75 141,
45 75 144, 45 75 140
e-mail: export@lumel.com.pl

Calibration & Attestation:
e-mail: laboratorium@lumel.com.pl

LUMEL S.A.
ul. Słubicka 4,
65-127 Zielona Góra, Poland
tel.: +48 68 45 75 100
www.lumel.com.pl

B2, B3, B4, B5, B6 MEASURING SHUNTS

ORDERING

| Shunt- | XX XXX | XXXXX | X | X | XX | X | X |
|---|--------|-------|---|---|----|---|---|
| Voltage drop: | | | | | | | |
| 60 mV | B2 060 | | | | | | |
| 150 mV | B3 150 | | | | | | |
| 50 mV | B4 050 | | | | | | |
| 75 mV | B5 075 | | | | | | |
| 100 mV | B6 100 | | | | | | |
| Measuring range and version: | | | | | | | |
| acc. to the Table 1, Range code column | | XXXXX | | | | | |
| External coating: | | | | | | | |
| standard coating | 0 | | | | | | |
| tropical coating | T | | | | | | |
| total silver coating | R | | | | | | |
| silver coating of current terminals | S | | | | | | |
| Fixing bolts: | | | | | | | |
| without bolts | 0 | | | | | | |
| with bolts | 1 | | | | | | |
| Version: | | | | | | | |
| acc. to the Table 1, Version code column | | | | | XX | | |
| Language version: | | | | | | | |
| multilanguage (Polish/English) | | | | | | M | |
| other (after agreeing with the manufacturer) | | | | | | X | |
| Acceptance tests: | | | | | | | |
| without extra quality inspection requirements, class 0.2* | | | | | | | 0 |
| with an extra quality inspection certificate, class 0.2* | | | | | | | 1 |
| with a checking certificate, class 0.2* | | | | | | | 2 |
| without extra quality inspection requirements, class 0.5 | | | | | | | A |
| with an extra quality inspection certificate, class 0.5 | | | | | | | B |
| with a checking certificate, class 0.5 | | | | | | | C |



* for ranges ≤ 2500 A

Example of order:

The ordering code: **B2 060-1A00A-0-1-00-M-1** means:

- B2 060** - shunt B2 with voltage drop 60 mV
- 1A00A** - measuring range: 1 A, version on an isolating base
- 0** - standard external coating
- 1** - with fixing bolts
- 00** - standard version
- M** - multilanguage version
- 1** - with an extra quality inspection certificate, class 0.2.

Table 1

| Measuring range | Version (drawing) | B2 60mV | | B3 150mV | | B4 50mV | | B5 75mV | | B6 100mV | |
|-----------------|-------------------|------------|--------------|------------|--------------|------------|--------------|------------|--------------|------------|--------------|
| | | Range code | Version code | Range code | Version code | Range code | Version code | Range code | Version code | Range code | Version code |
| 1A | A | 1A00A | 00 | 1A00A | 00 | 1A00A | 00 | 1A00A | 00 | 1A00A | 00 |
| 1.5A | A | 1A50A | 00 | 1A50A | 00 | 1A50A | 00 | 1A50A | 00 | 1A50A | 00 |
| 2A | A | 2A00A | A1 | - | - | - | - | - | - | - | - |
| 2.5A | A | 2A50A | 00 | 2A50A | 00 | 2A50A | 00 | 2A50A | 00 | 2A50A | 00 |
| 4A | A | 4A00A | 00 | 4A00A | 00 | 4A00A | 00 | 4A00A | 00 | 4A00A | 00 |
| 5A | A | 5A00A | A1 | 5A00A | A1 | 5A00A | A1 | 5A00A | A1 | 5A00A | A1 |
| 6A | A | 6A00A | 00 | 6A00A | 00 | 6A00A | 00 | 6A00A | 00 | 6A00A | 00 |
| 10A | A | 10A0A | 00 | 10A0A | 00 | 10A0A | 00 | 10A0A | 00 | 10A0A | 00 |
| 12A | A | 12A0A | A1 | - | - | - | - | 12A0A | A1 | - | - |
| 15A | A | 15A0A | 00 | 15A0A | 00 | 15A0A | 00 | 15A0A | 00 | 15A0A | 00 |
| 20A | A | 20A0A | A1 | 20A0A | A1 | 20A0A | A1 | 20A0A | A1 | 20A0A | A1 |
| 25A | A | 25A0A | 00 | 25A0A | 00 | 25A0A | 00 | 25A0A | 00 | 25A0A | 00 |

SEE ALSO:



Moving - coil meters of MA series.



Digital meters N24, N25.



Temperature and d.c. standard signals universal digital meter with OLED - N21

Export department:
tel.: (+48 68) 45 75 130,
45 75 131, 45 75 132
e-mail: export@lumel.com.pl

Technical support:
tel.: (+48 68) 45 75 143, 45 75 141,
45 75 144, 45 75 140
e-mail: export@lumel.com.pl

Calibration & Attestation:
e-mail: laboratorium@lumel.com.pl

LUMEL S.A.
ul. Słubicka 4,
65-127 Zielona Góra, Poland
tel.: +48 68 45 75 100
www.lumel.com.pl

B2, B3, B4, B5, B6 MEASURING SHUNTS



Programmable digital meter of temp., resistance and standard signals - N30U.

| Measuring range | Version (drawing) | B2 60mV | | B3 150mV | | B4 50mV | | B5 75mV | | B6 100mV | |
|----------------------|-------------------|------------|--------------|------------|--------------|------------|--------------|------------|--------------|------------|--------------|
| | | Range code | Version code | Range code | Version code | Range code | Version code | Range code | Version code | Range code | Version code |
| 30A, based on 25A | A | 30A0A | A1 | - | - | - | - | - | - | - | - |
| 30A, based on 150A | A | 30A0A | A2 | - | - | - | - | - | - | - | - |
| 30A, based on 150A | D | 30A0D | A2 | 30A0D | A2 | 30A0D | A2 | 30A0D | A2 | 30A0D | A2 |
| 40A | A | 40A0A | 00 | - | - | - | - | - | - | - | - |
| 40A | D | 40A0D | 00 | 40A0D | 00 | 40A0D | 00 | 40A0D | 00 | 40A0D | 00 |
| 45A | A | 45A0A | A2 | - | - | - | - | - | - | - | - |
| 45A | D | 45A0D | A2 | - | - | - | - | - | - | - | - |
| 50A | A | 50A0A | A2 | - | - | - | - | - | - | - | - |
| 50A | D | 50A0D | A2 | 50A0D | A2 | 50A0D | A2 | 50A0D | A2 | 50A0D | A2 |
| 60A | A | 60A0A | 00 | - | - | - | - | - | - | - | - |
| 60A | D | 60A0D | 00 | 60A0D | 00 | 60A0D | 00 | 60A0D | 00 | 60A0D | 00 |
| 75A | A | 75A0A | A2 | - | - | - | - | - | - | - | - |
| 75A | D | 75A0D | A2 | 75A0D | A2 | 75A0D | A2 | 75A0D | A2 | 75A0D | A2 |
| 80A | A | 80A0A | A2 | - | - | - | - | - | - | - | - |
| 80A | D | 80A0D | A2 | 80A0D | A2 | 80A0D | A2 | 80A0D | A2 | 80A0D | A2 |
| 100A | A | 100AA | 00 | - | - | - | - | - | - | - | - |
| 100A | D | 100AD | 00 | 100AD | 00 | 100AD | 00 | 100AD | 00 | 100AD | 00 |
| 120A | A | 120AA | A2 | - | - | - | - | - | - | - | - |
| 120A | D | 120AD | A2 | - | - | - | - | - | - | - | - |
| 125A | A | 125AA | A2 | - | - | - | - | - | - | - | - |
| 125A | D | 125AD | A2 | 125AD | A2 | - | - | 125AD | A2 | 125AD | A2 |
| 150A | A | 150AA | 00 | - | - | - | - | - | - | - | - |
| 150A | D | 150AD | 00 | 150AD | 00 | 150AD | 00 | 150AD | 00 | 150AD | 00 |
| 160A | A | 160AA | A2 | - | - | - | - | - | - | - | - |
| 160A | D | 160AD | A2 | 160AD | A2 | 160AD | A2 | 160AD | A2 | 160AD | A2 |
| 200A | A | 200AA | A2 | - | - | - | - | - | - | - | - |
| 200A | D | 200AD | A2 | 200AD | A2 | 200AD | A2 | - | - | 200AD | A2 |
| 200A, based on 250A | B | 200AB | B1 | 200AB | B1 | 200AB | B1 | 200AB | B1 | 200AB | B1 |
| 240A, based on 250A | B | 240AB | B1 | - | - | - | - | - | - | - | - |
| 250A | B | 250AB | 00 | 250AB | 00 | 250AB | 00 | 250AB | 00 | 250AB | 00 |
| 300A, based on 250A | B | 300AB | B1 | 300AB | B1 | 300AB | B1 | 300AB | B1 | 300AB | B1 |
| 300A, based on 400A | B | 300AB | B2 | 300AB | B2 | 300AB | B2 | 300AB | B2 | 300AB | B2 |
| 350A, based on 400A | B | 350AB | B2 | - | - | - | - | - | - | - | - |
| 400A | B | 400AB | 00 | 400AB | 00 | 400AB | 00 | 400AB | 00 | 400AB | 00 |
| 500A, based on 400A | B | 500AB | B2 | 500AB | B2 | 500AB | B2 | 500AB | B2 | 500AB | B2 |
| 500A, based on 600A | B | 500AB | B3 | 500AB | B3 | 500AB | B3 | 500AB | B3 | 500AB | B3 |
| 600A | B | 600AB | 00 | 600AB | 00 | 600AB | 00 | 600AB | 00 | 600AB | 00 |
| 650A | B | 650AB | B3 | - | - | - | - | - | - | - | - |
| 750A, based on 600A | B | 750AB | B3 | 750AB | B3 | 750AB | B3 | - | - | 750AB | B3 |
| 750A, based on 1000A | B | 750AB | B4 | 750AB | B4 | 750AB | B4 | 750AB | B4 | 750AB | B4 |

Export department:
tel.: (+48 68) 45 75 130,
45 75 131, 45 75 132
e-mail: export@lumel.com.pl

Technical support:
tel.: (+48 68) 45 75 143, 45 75 141,
45 75 144, 45 75 140
e-mail: export@lumel.com.pl

Calibration & Attestation:
e-mail: laboratorium@lumel.com.pl

LUMEL S.A.
ul. Słubicka 4,
65-127 Zielona Góra, Poland
tel.: +48 68 45 75 100
www.lumel.com.pl

B2, B3, B4, B5, B6 MEASURING SHUNTS

| Measuring range | Version (drawing) | B2 60mV | | B3 150mV | | B4 50mV | | B5 75mV | | B6 100mV | |
|-----------------------|-------------------|------------|--------------|------------|--------------|------------|--------------|------------|--------------|------------|--------------|
| | | Range code | Version code | Range code | Version code | Range code | Version code | Range code | Version code | Range code | Version code |
| 800A, based on 600A | B | 800AB | B3 | 800AB | B3 | 800AB | B3 | - | - | 800AB | B3 |
| 800A, based on 1000A | B | 800AB | B4 | 800AB | B4 | 800AB | B4 | 800AB | B4 | 800AB | B4 |
| 1kA | B | 1k00B | 00 | 1k00B | 00 | 1k00B | 00 | 1k00B | 00 | 1k00B | 00 |
| 1.2kA, based on 1kA | B | 1k20B | B4 | 1k20B | B4 | - | - | 1k20B | B4 | 1k20B | B4 |
| 1.2kA, based on 1.5kA | B | 1k20B | B5 | - | - | - | - | 1k20B | B5 | 1k20B | B5 |
| 1.2kA, based on 1.5kA | C | - | - | 1k20C | C1 | - | - | - | - | - | - |
| 1.5kA | B | 1k50B | 00 | 1k50C | 00 | 1k50B | 00 | 1k50B | 00 | 1k50B | 00 |
| 2kA, based on 1.5kA | B | 2k00B | B5 | - | - | 2k00B | B5 | 2k00B | B5 | 2k00B | B5 |
| 2kA, based on 1.5kA | C | - | - | 2k00C | C1 | - | - | - | - | - | - |
| 2kA, based on 2.5kA | B | 2k00B | B6 | - | - | 2k00B | B6 | - | - | - | - |
| 2kA, based on 2.5kA | C | - | - | 2k00C | C2 | - | - | 2k00C | C1 | 2k00C | C1 |
| 2.5kA | B | 2k50B | 00 | - | - | 2k50B | 00 | - | - | - | - |
| 2.5kA | C | - | - | 2k50C | 00 | - | - | 2k50C | 00 | 2k50C | 00 |
| 3kA, based on 2.5kA | B | 3k00B | B6 | - | - | 3k00B | B6 | - | - | - | - |
| 3kA, based on 2.5kA | C | - | - | 3k00C | C2 | 3k00C | C1 | 3k00C | C1 | 3k00C | C1 |
| 3kA, based on 4kA | C | 3k00C | C1 | 3k00C | C3 | - | - | 3k00C | C2 | 3k00C | C2 |
| 4kA | C | 4k00C | 00 | 4k00C | 00 | 4k00C | 00 | 4k00C | 00 | 4k00C | 00 |
| 5kA, based on 4kA | C | 5k00C | C1 | 5k00C | C3 | 5k00C | C1 | 5k00C | C2 | 5k00C | C2 |
| 5kA, based on 6kA | C | 5k00C | C2 | 5k00C | C4 | 5k00C | C2 | 5k00C | C3 | 5k00C | C3 |
| 6kA | C | 6k00C | 00 | 6k00C | 00 | 6k00C | 00 | 6k00C | 00 | 6k00C | 00 |
| 8kA, based on 6kA | C | 8k00C | C2 | 8k00C | C4 | 8k00C | C2 | 8k00C | C3 | 8k00C | C3 |
| 8kA, based on 10kA | C | 8k00C | C3 | 8k00C | C5 | 8k00C | C3 | 8k00C | C4 | 8k00C | C4 |
| 10kA | C | 10k0C | 00 | 10k0C | 00 | 10k0C | 00 | 10k0C | 00 | 10k0C | 00 |
| 12kA, based on 10kA | C | 12k0C | C3 | - | - | 12k0C | C3 | - | - | - | - |
| 12kA, based on 15kA | C | 12k0C | C4 | - | - | 12k0C | C4 | - | - | - | - |
| 15kA | C | 15k0C | 00 | 15k0C | 00 | 15k0C | 00 | 15k0C | 00 | 15k0C | 00 |
| 18kA, based on 15kA | C | 18k0C | C4 | - | - | - | - | - | - | - | - |

SEE ALSO:



Universal transducer of temperature and standard signals P30U

Export department:
tel.: (+48 68) 45 75 130,
45 75 131, 45 75 132
e-mail: export@lumel.com.pl

Technical support:
tel.: (+48 68) 45 75 143, 45 75 141,
45 75 144, 45 75 140
e-mail: export@lumel.com.pl

Calibration & Attestation:
e-mail: laboratorium@lumel.com.pl

LUMEL S.A.
ul. Słubicka 4,
65-127 Zielona Góra, Poland
tel.: +48 68 45 75 100
www.lumel.com.pl